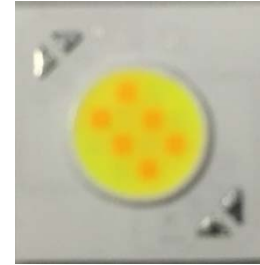


MF-13DA-2757-SS-3232-K7 COB Datasheet

Applications

- Spot lighting
- Down lighting



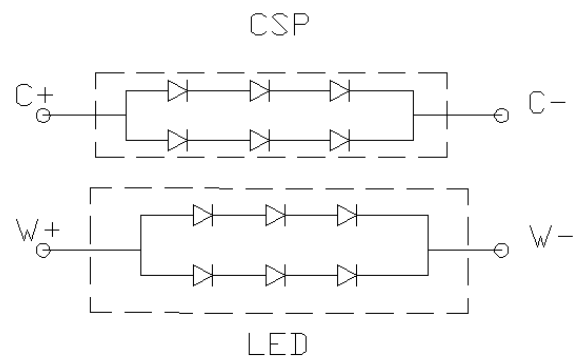
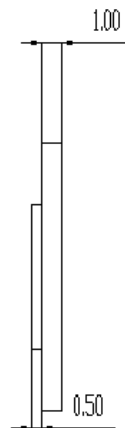
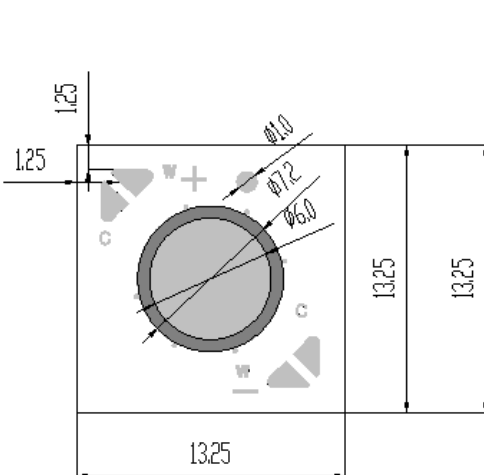
Naming Conventions

MF-13DA - 2757 - SS - 3232 - K7

(1) (2) (3) (4)

- (1) COB Series
- (2) CCT Range : 2700K-5700K
- (3) CRI Range: > 90
- (4) Chip Array

Package Dimensions



CSP 3 series × 2 parallel = 6 pcs of CSPs
 LED 3 series × 2 parallel = 6 pcs of LEDs

1. All dimensions in millimeters.
2. Tolerance is +/-0.3mm unless otherwise noted.
3. The information in this document is subject to change without notice.

Absolute Maximum Ratings

Item	Symbol	Absolute Maximum Rating	Unit
Forward current(C-C)	$I_{f_{C-C}}$	700	mA
Forward current(W-W)	$I_{f_{W-W}}$	700	mA
Peak Power	P	7.2	W
Operating Temperature	T_{opr}	-30~+100	°C
Storage Temperature	T_{stg}	-40~100	°C
Hand soldering condition	T_{sld}	3.5sec@350°C	sec
Case Temperature	T_c	100	°C
LED Junction Temperature	T_j	125	°C
Temperature of central silicon Surface	T_s	125@IRDA Test	°C

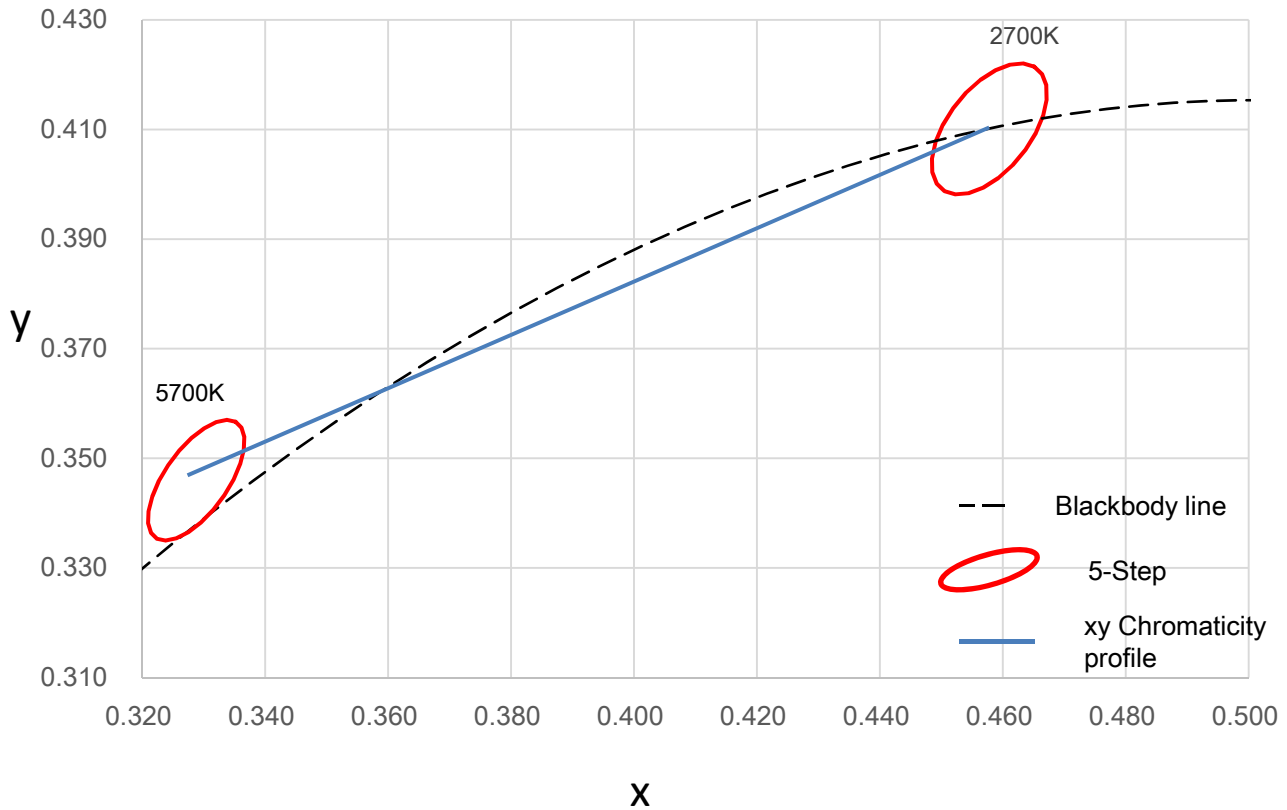
Characteristics (T_c=25°C)

Color Temp	Forward Current(mA)		Voltage(V)		Luminous Flux(lm)	R _{j-c} (°C/W)
	C.If(mA)	W.If(mA)	C.Vf(V)	W.Vf(V)	CRI 90	
2700K	100	600	7.5-10	7.5-10	560	TBD
3000K	180	520	7.5-10	7.5-10	600	TBD
3500K	300	400	7.5-10	7.5-10	650	TBD
4000K	420	280	7.5-10	7.5-10	675	TBD
5000K	580	120	7.5-10	7.5-10	690	TBD
5700K	670	30	7.5-10	7.5-10	690	TBD

Notes:

1. Luminous flux is measured with an accuracy of +/- 5 %.
2. CRI is measured with an accuracy of +/- 1
3. Some color and CRI bins may have limited availability, please contact us before ordering.
4. All measurements were made under the standardized environment of Shineon.

Chromaticity Characteristics (Tc=25°C)

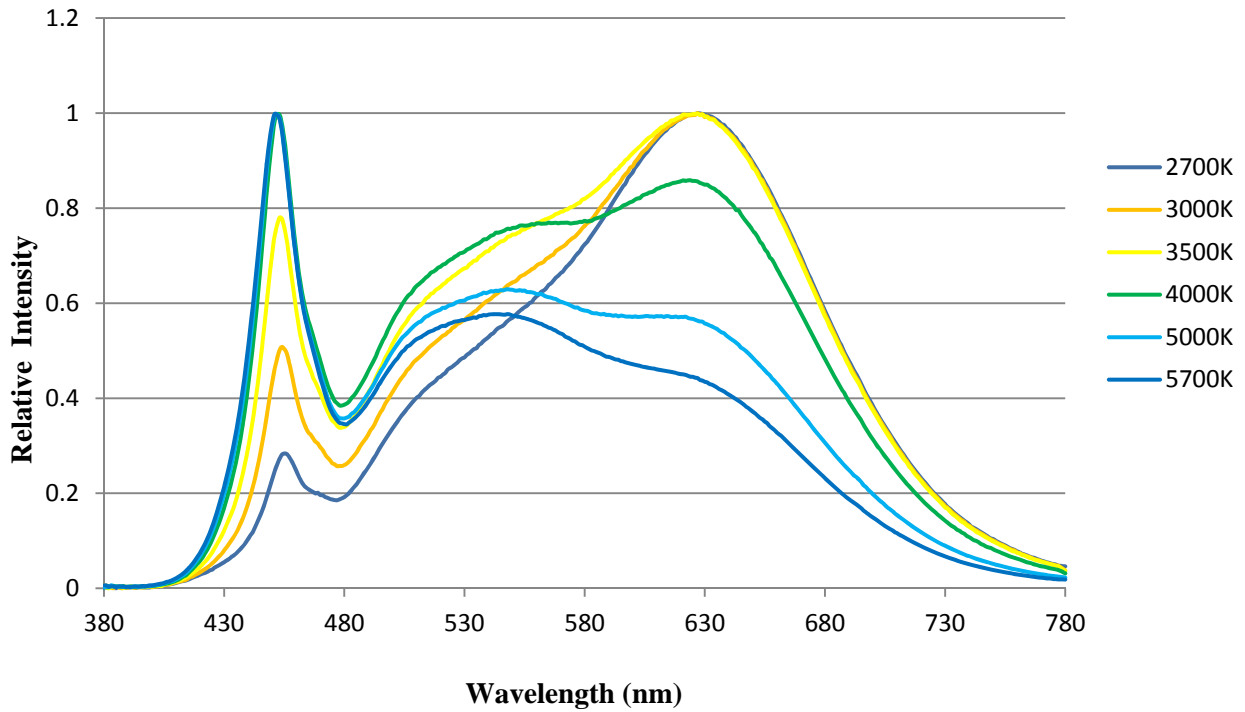


Bin Code	Nominal CCT	Center Point		Oval parameter		
		x	y	a	b	Theta°
275	2700K(5-step)	0.4578	0.4101	0.0135	0.007	57.28
575	5700K(5-step)	0.3288	0.346	0.01243	0.00533	59.09

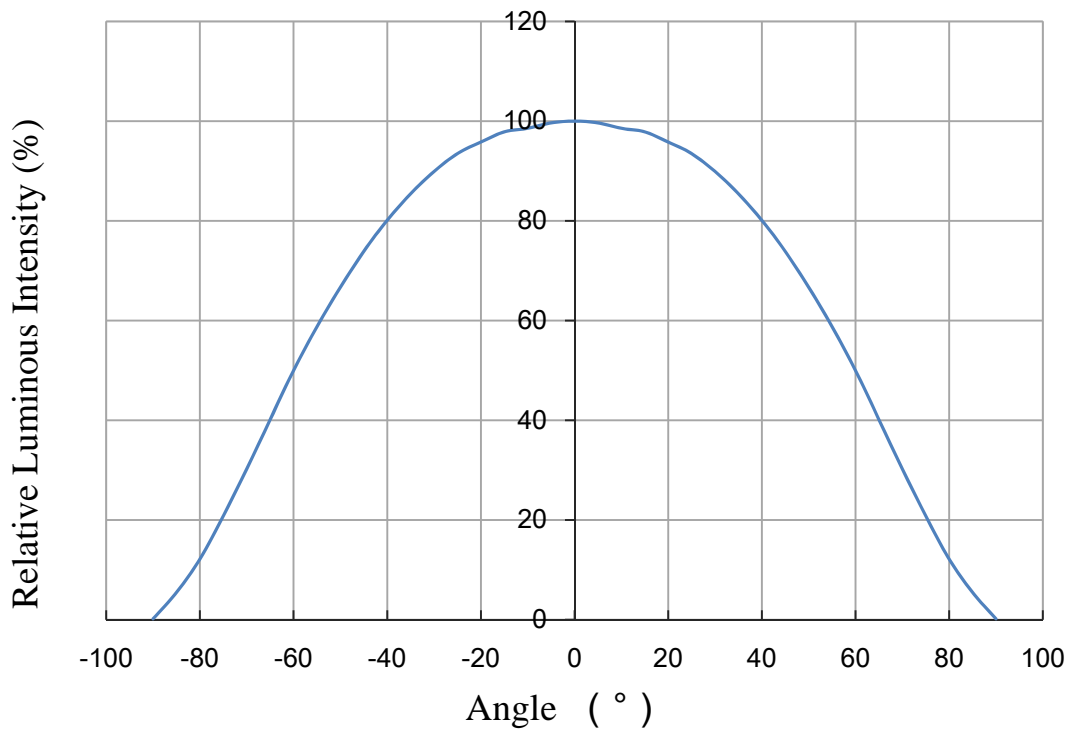
Notes:

1. Chromaticity coordinate bins are measured with an accuracy of +/- 0.005.

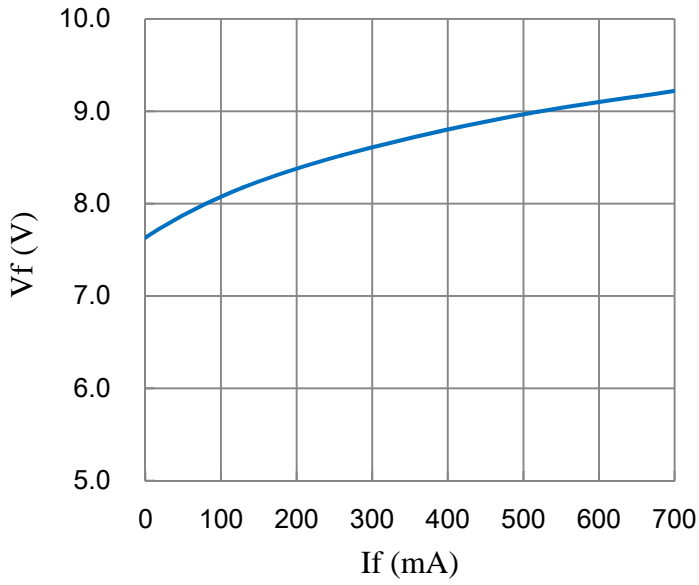
Typical Relative Spectral Power Distribution (Tc=25°C)



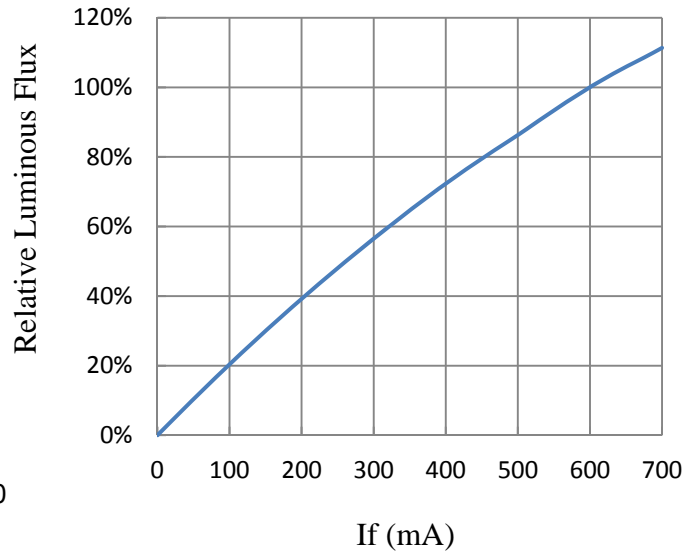
Typical Spatial Distribution (Tc=25°C)



Forward Current vs. Forward Voltage
($T_c=25^\circ\text{C}$)



Forward Current vs. Relative Luminous Flux
($T_c=25^\circ\text{C}$)



PACKING

