

MDL-A0C8 Series Datasheet

Features

- Connects directly to AC line voltage
- Meets California Title 24 requirements
- PF > 0.97, THD < 20%
- Dimming range 5% - 100%



Applications

- Down light
- Ceiling light

Electro-Optical Characteristics (Ta=25°C)

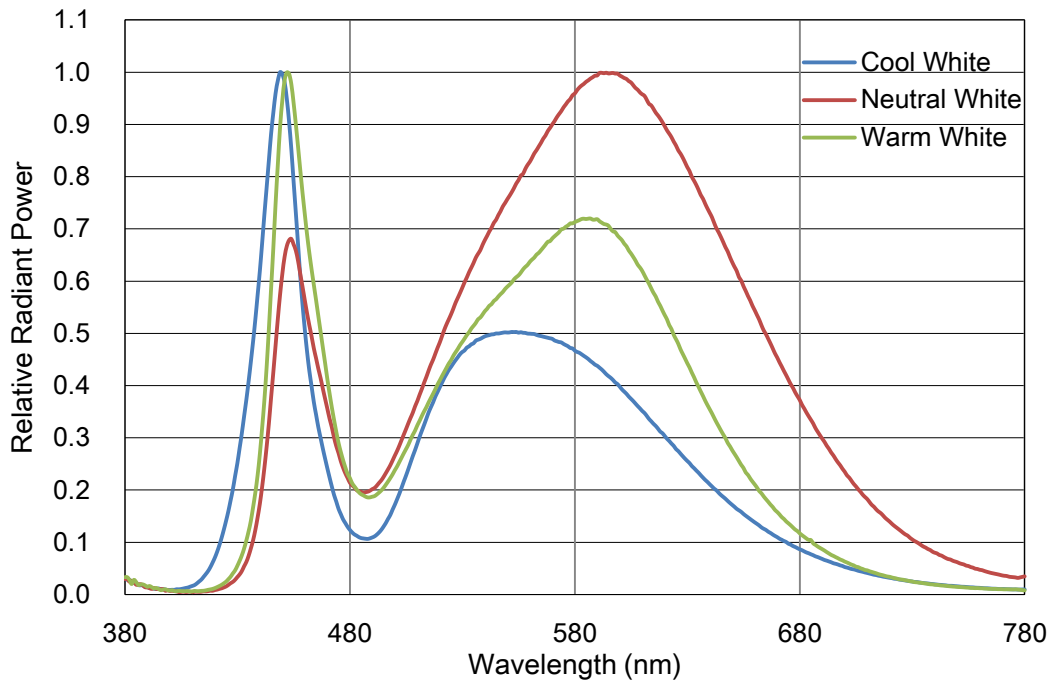
Part NO.	Vin (Vac)	Freq. (HZ)	CIE	CRI	Power(W)			Flux(lm)	
					Min	Typ.	Max	Min	Typ.
MDL-A0C8-300-S-L17D-WD	120	60	<3step @3000K	>90	16	17	18	1200	1300

[1] Luminous flux is measured with an accuracy of ± 5%.
 [2] Φv is the total luminous flux output measured with an integrated sphere.
 [3] CRI is measured with an accuracy of ± 2.

Absolute Maximum Ratings (Ta=25°C)

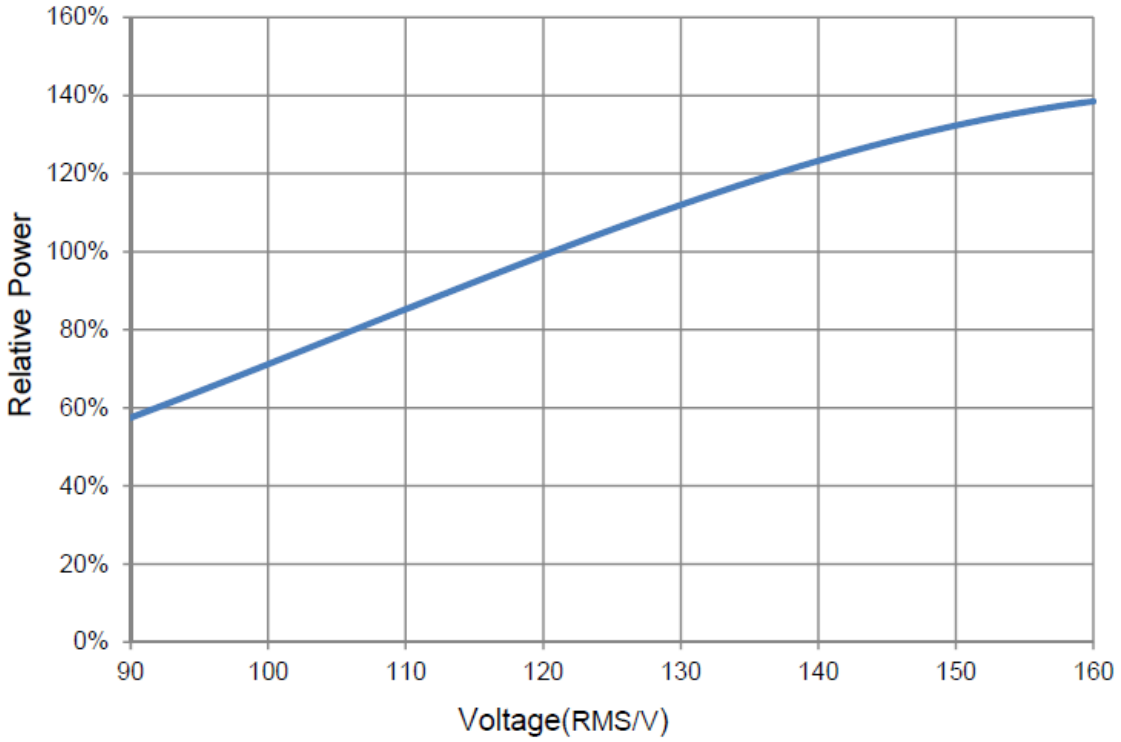
Parameter	Symbol	Value	Unit
Voltage	V _{opt}	140	Vac
LED Solder Temperature	T _s	-20~+85	°C
Storage Temperature	T _{stg}	-40~+100	°C
ESD Sensitivity(HBM)	--	±4000	V

Relative Spectral Distribution vs. Wavelength Characteristic

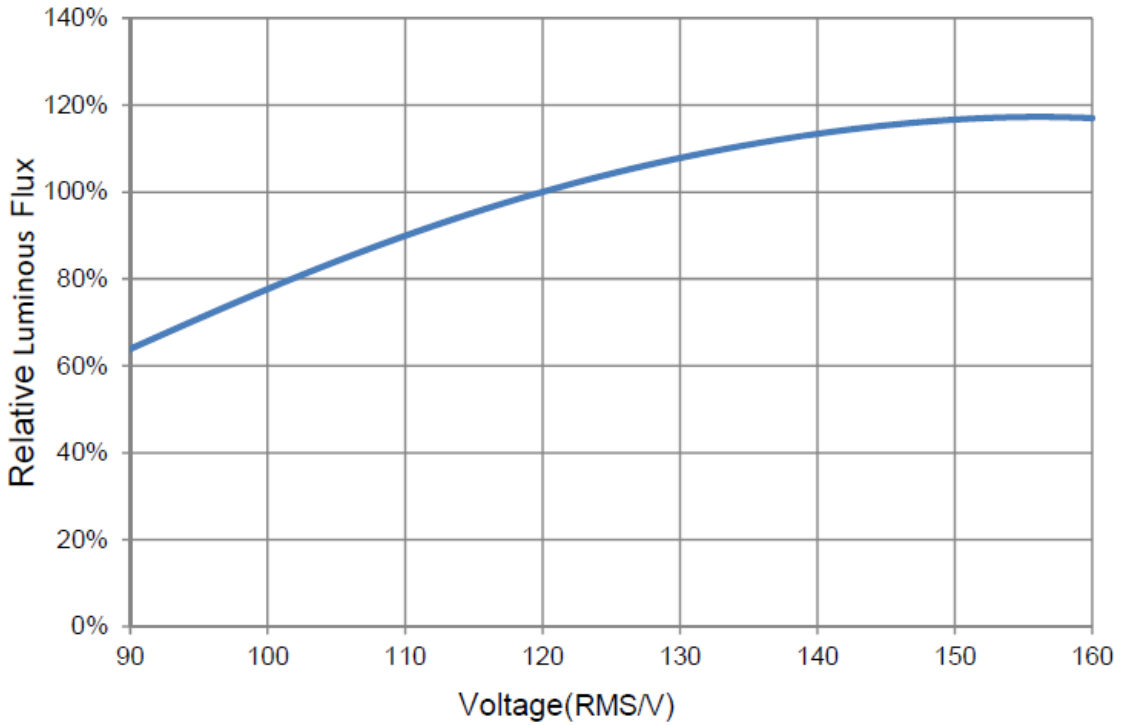


Power Characteristics

Relative Power Distribution vs. Voltage at Ta=25°C

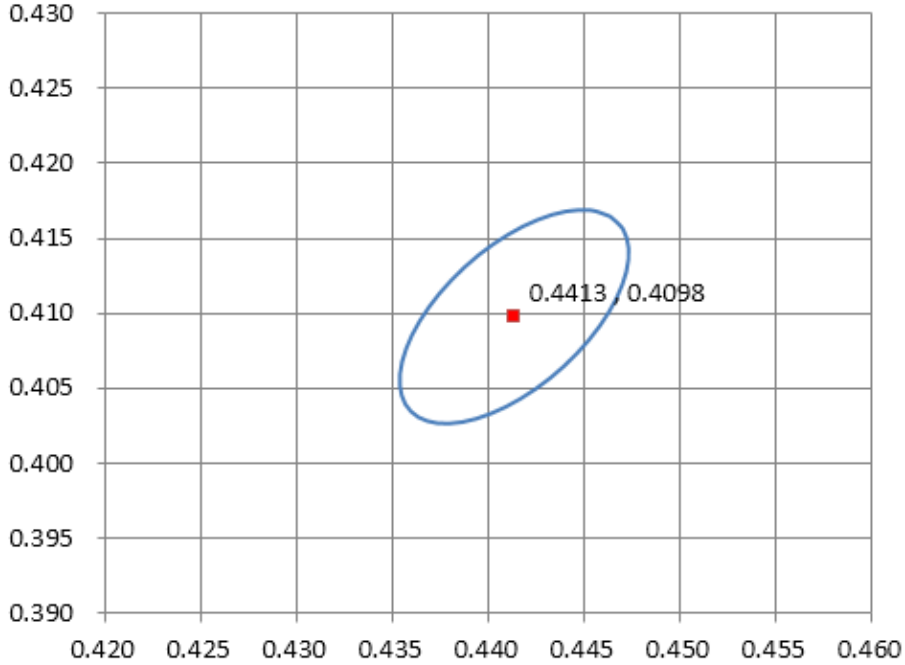


Relative Luminous Flux vs. Voltage at Ta=25°C



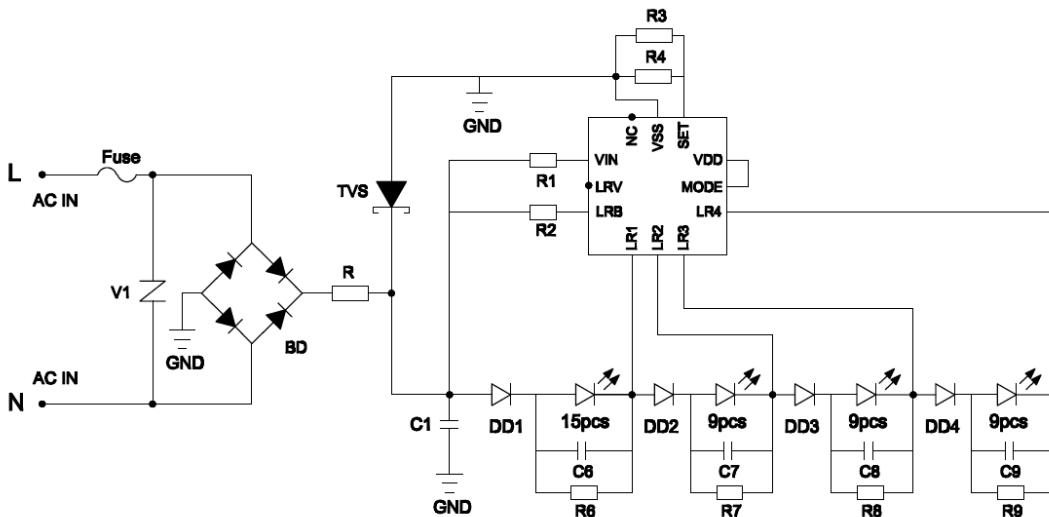
Chromaticity Bins

Chromaticity Bins: 1931 CIE Curve

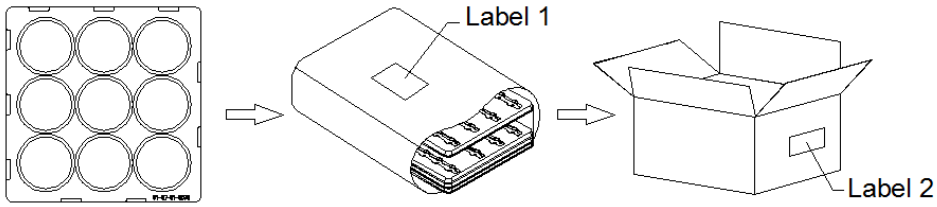


BIN CODE	CCT	Color Coordinates(x, y)				
		Center		Oval parameter		
		x	y	a	b	Theta°
300	3000K (3-STEP)	0.4413	0.4098	0.0139	0.0068	53° 17'

Circuit Drawing



Packing



- 9PCS LED modules packed per tray
- 1 BOX: 9PCS per tray × Max 23 Layer = Max 207PCS
- BOX SIZE(L × W × H)= 360 × 360 × 330mm
- Add silica gel(1EA) on top of the tray

Precaution for use

- Please do not press the silicone resin area with objects such as finger, lens.
- Operating Voltage doesn't indicate the maximum voltage.
- It is recommended that the solder pad temperature should be below 85°C.
- DO NOT touch any of the circuit board, components or terminals with body or metal while circuit is active.